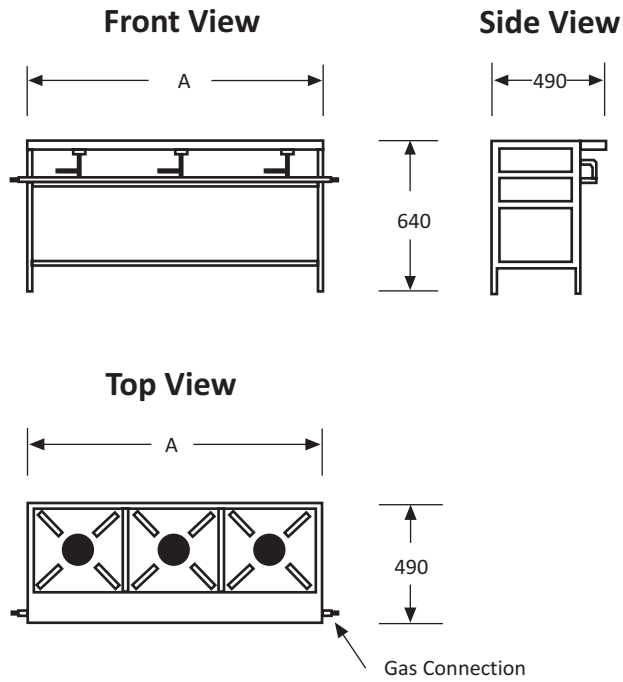
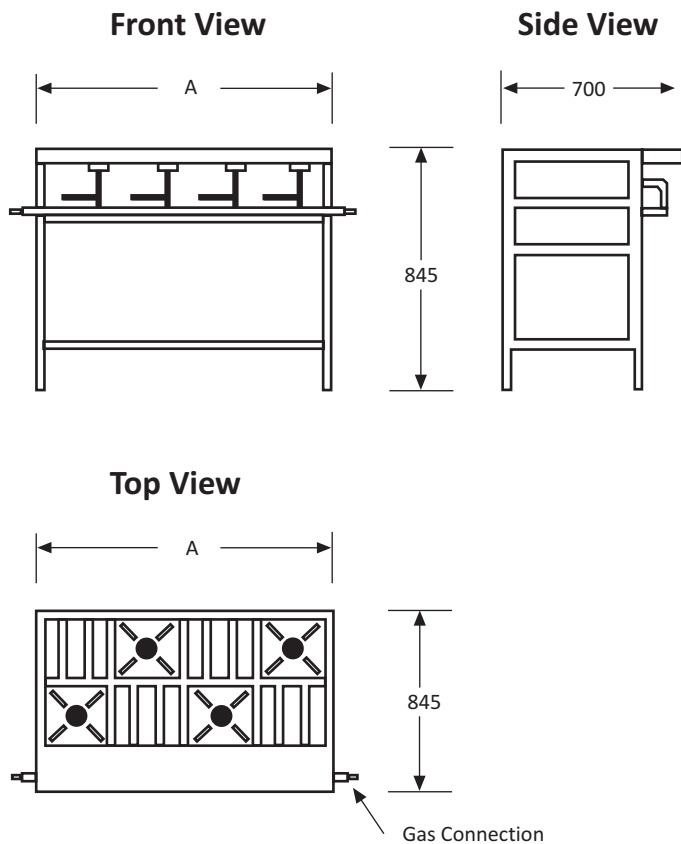


## TECHNICAL INFORMATION & FEATURES



### STRAIGHT

- The cooking top shall be manufactured from 30 x 5 mm hot rolled flat bar
- The body shall be manufactured from 40 x 40 x 3 mm angle iron
- Stainless steel front plate
- Cast aluminium burner cups
- Brass jets
- Galvanised steel drip tray
- The mild steel components shall be finished in Hammertone light blue
- Plastic adjustable feet
- All gas fittings shall be stainless steel (No galvanised steel)
- 1 Burner: A = 500 mm, Pack size 500 x 490 x 640 mm, Weight 16 Kg
- 2 Burner: A = 920 mm, Pack size 920 x 490 x 640 mm, Weight 25 Kg
- 3 Burner: A = 1330 mm, Pack size 1330 x 490 x 640 mm, Weight 34 Kg
- 4 Burner: A = 1720 mm, Pack size 1720 x 490 x 640 mm, Weight 40 Kg
- 5 Burner: A = 2120 mm, Pack size 2120 x 490 x 640 mm, Weight 46 Kg
- 6 Burner: A = 2520 mm, Pack size 2520 x 490 x 640 mm, Weight 57 Kg



### STAGGERED

- The cooking top shall be manufactured from 30 x 5 mm hot rolled flat bar
- The body shall be manufactured from 40 x 40 x 3 mm angle iron
- Stainless steel front plate
- Cast aluminium burner cups
- Brass jets
- Galvanised steel drip tray
- The mild steel components shall be finished in Hammertone light blue
- Plastic adjustable feet
- All gas fittings shall be stainless steel (No galvanised steel)
- 2 Burner: A = 500 mm, Pack size 500 x 700 x 845 mm, Weight 24 Kg
- 4 Burner: A = 950 mm, Pack size 950 x 700 x 845 mm, Weight 40 Kg
- 6 Burner: A = 1350 mm, Pack size 1350 x 700 x 845 mm, Weight 47 Kg