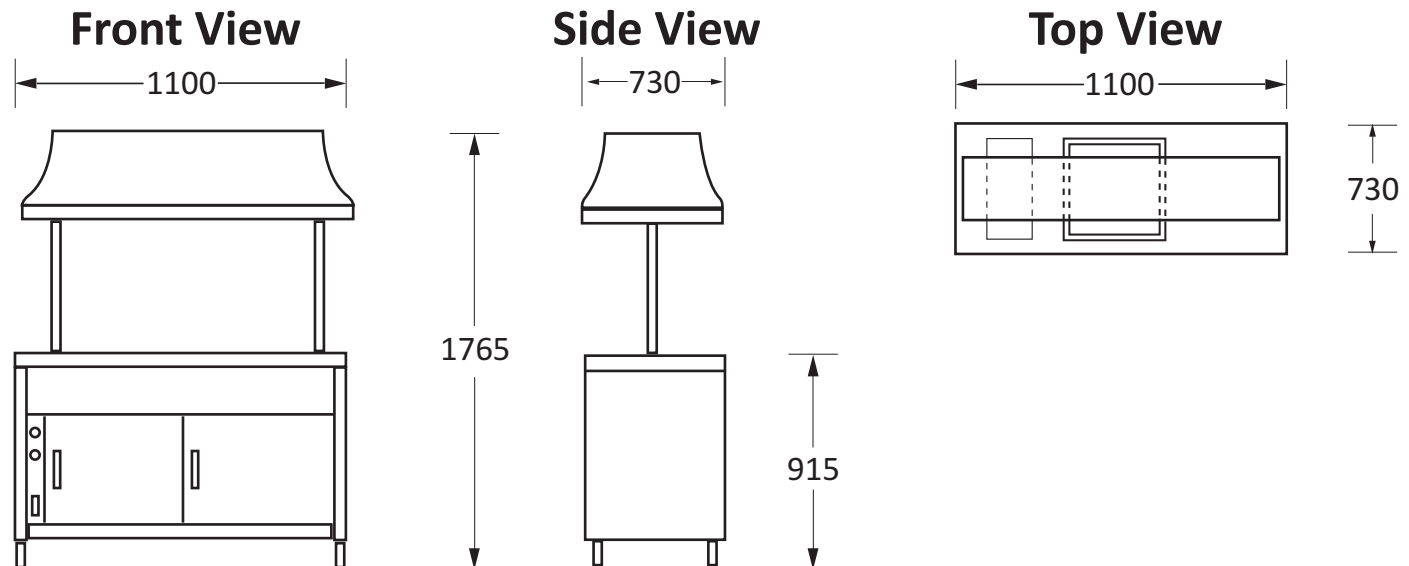


TECHNICAL INFORMATION & FEATURES



HOT CLOSET

- The body consists of outer panels of 0.8 mm Type 430 stainless steel
- The inner panels shall be of 0.8 mm galvanised steel
- Cupboard fitted with middle shelf
- The top is manufactured from 1.2 mm 430 stainless steel
- The bain marie is manufactured from 1.2 mm 430 stainless steel
- The bain marie is fitted with one emersion element controlled through a variable energy regulator
- A gate valve shall be fitted under the bain marie for drainage purposes
- The carvery is fitted with one stainless steel element controlled through a variable energy regulator
- The carvery is surrounded by a 40 mm drain trough
- The carvery top is manufactured from Type 430 1.0 mm stainless steel
- The top is fitted with an infra-red heating globe
- Type 430 1.0 mm stainless steel shall house the front control panel
- Frontal control panel with two pilot lights per element
- Hot closet insulated
- Doors manufactured from 0.8 mm Type 430 stainless steel
- Doors insulated
- Upper door guides shall consist of aluminium extrusion and rollers to doors
- Steel plated heating elements for high performance
- Satin finish on all exterior surfaces
- 75 mm Caster wheels 2 with brakes fitted
- Pack size 1100 x 700 x 1765 mm
- Weight 71 Kg