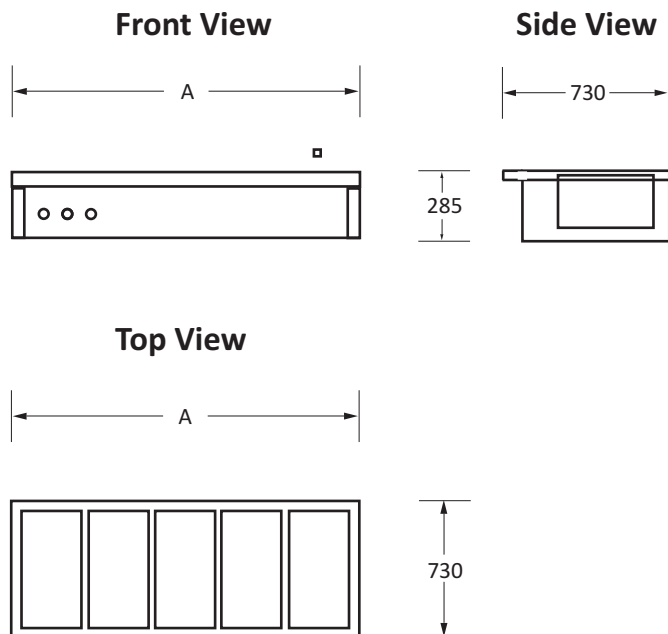
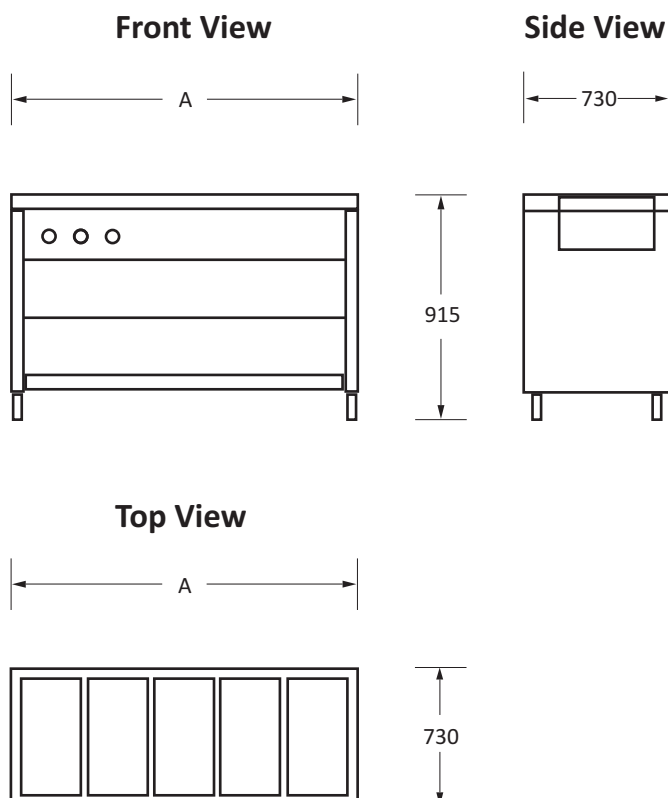


## TECHNICAL INFORMATION & FEATURES



### TABLE MODEL

- The bain marie well is manufactured from 1.2 mm Type 430 stainless steel
- The bain marie surround and body is manufactured from 0.9 mm Type 430 stainless steel
- The well is fitted with an emersion element controlled through a variable thermostat with a range of 1-110 degrees
- The turndown shall be 45 mm all around
- The gate valve shall be fitted under the bain marie well, at one end, for drainage purposes
- The stainless steel body shall house the thermostats & indicator lights
- Satin finish on all exterior surfaces
- 1 Division: A = 500 mm, Weight 15 Kg, Pack size 515 x 740 x 330 mm
- 2 Division: A = 835 mm, Weight 19 Kg, Pack size 855 x 740 x 330 mm
- 3 Division: A = 1130 mm, Weight 24 Kg, Pack size 1200 x 740 x 330 mm
- 4 Division: A = 1520 mm, Weight 33 Kg, Pack size 1540 x 740 x 330 mm
- 5 Division: A = 1860 mm, Weight 39 Kg, Pack size 1890 x 740 x 330 mm
- 6 Division: A = 2230 mm, Weight 45 Kg, Pack size 2260 x 740 x 330 mm



### FLOOR MODEL

- The bain marie well is manufactured from 1.2 mm Type 430 stainless steel
- The bain marie surround and body is manufactured from 1.0 mm Type 430 stainless steel
- The bain marie floor mid shelf & inners manufactured from 1.4 mm galvanised steel
- The well is fitted with an emersion element controlled through a variable thermostat with a range of 1-110 degrees
- The turndown shall be 45 mm all around
- The swivel waste with gate valve shall be fitted under the bain marie well, at one end, for drainage purposes
- The stainless steel body shall house the thermostats & indicator lights
- Satin finish on all exterior surfaces
- 3 Division: A = 1130 mm, Weight 46 Kg, Pack size 1180 x 730 x 915 mm
- 4 Division: A = 1520 mm, Weight 62 Kg, Pack size 1520 x 730 x 915 mm
- 5 Division: A = 1860 mm, Weight 66 Kg, Pack size 1860 x 730 x 915 mm
- 6 Division: A = 2230 mm, Weight 70 Kg, Pack size 2230 x 730 x 915 mm