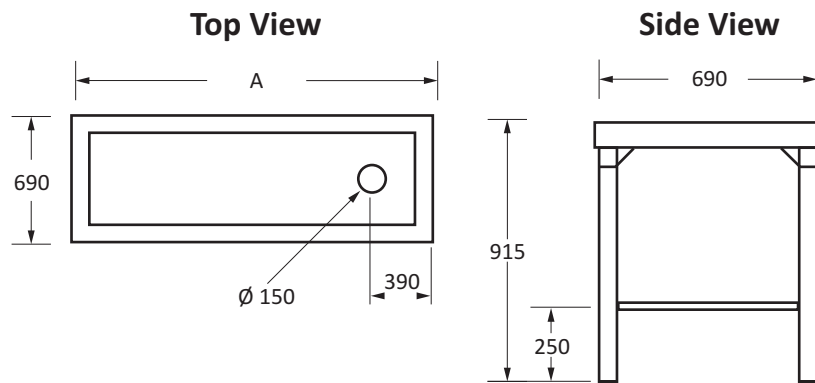
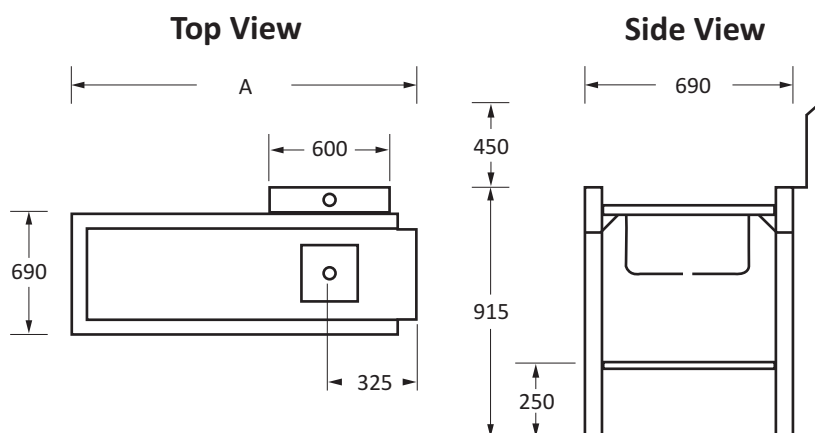


TECHNICAL INFORMATION & FEATURES



DIRTIES TABLES

- Ergonomically designed
- The top is manufactured from 1.2 mm 304 No 4 P.V.C coated stainless steel
- The top has a 40 mm boxed edge with a 75 mm turndown and a return of 10 mm
- 1.6 mm Mild steel under sheet - Epoxy coated
- Vermin proof bitumen sound deadening compound is applied between stainless steel and mild steel
- Angle iron frame work - Epoxy coated
- 42 mm 304 Stainless steel legs
- Corner gussets are fitted with 48 mm tubing and M10 bolts to accommodate removable legs
- 1 x 20 mm Stainless steel square tubing is welded to legs at 250 mm to accommodate a shelf
- DIRTIES hole = 150 mm with welded ring finish
- A = 1100 mm, Pack size 1120 x 765 x 185 mm, Weight 32 Kg
- A = 1700 mm, Pack size 1720 x 765 x 185 mm, Weight 36 Kg
- A = 2300 mm, Pack size 2320 x 765 x 185 mm, Weight 43 Kg



INLET TABLES

- The top is manufactured from 1.0 mm 430 No 4 P.V.C coated stainless steel
- Ergonomically designed
- The top is manufactured from 1.2 mm 304 No 4 P.V.C coated stainless steel
- The top has a 40 mm boxed edge with a 75 mm turndown and a return of 10 mm
- 1.6 mm Mild steel under sheet - Epoxy coated
- Vermin proof bitumen sound deadening compound is applied between stainless steel and mild steel
- Angle iron frame work - Epoxy coated
- 42 mm 304 Stainless steel legs
- Corner gussets are fitted with 48 mm tubing and M10 bolts to accommodate removable legs
- 1 x 20 mm Stainless steel square tubing is welded to legs at 250 mm to accommodate a shelf
- Inlet table shall have a 450 x 450 mm sink bowl
- Inlet table shall be fitted with a 600 x 500 mm high splash back
- A = 1100 mm, Pack size 1120 x 660 x 450 mm, Weight 39 Kg
- A = 1700 mm, Pack size 1720 x 660 x 450 mm, Weight 41 Kg
- A = 2300 mm, Pack size 2320 x 660 x 450 mm, Weight 46 Kg