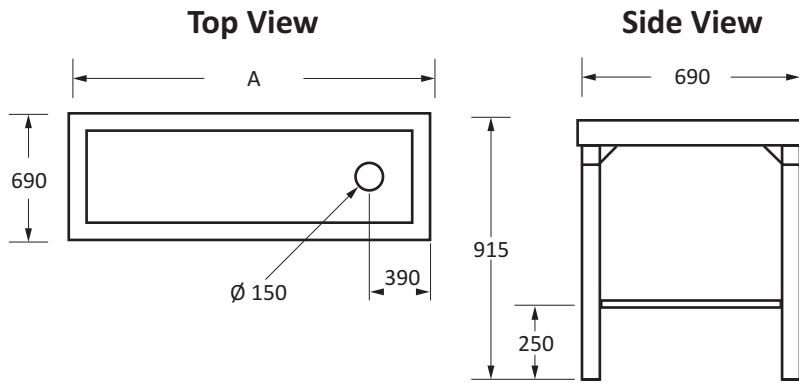
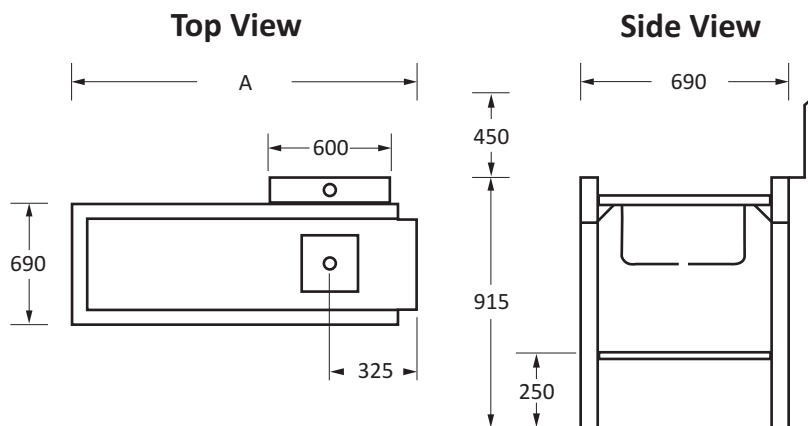


TECHNICAL INFORMATION & FEATURES



DIRTIES TABLES

- The top is manufactured from 0.9 mm 430 No 4 P.V.C coated stainless steel
- The top has a 40 mm boxed edge with a 75 mm turndown and a return of 10 mm
- 1.0 mm Mild steel undersheet - Epoxy coated
- Vermin proof bitumen sound deadening compound is applied between stainless steel and mild steel
- Angle iron frame work - Epoxy coated
- 42 x 2 mm Mild steel legs
- Corner gussets are fitted with 48 mm tubing and M10 bolts to accommodate removable legs
- 1 x 30 mm Mild steel flat bar is welded to legs at 250 mm to accommodate shelf
- Dirtyes hole = 150 mm with welded ring finish
- A = 1100 mm, Pack size 1120 x 765 x 185 mm, Weight 18 Kg
- A = 1700 mm, Pack size 1720 x 765 x 185 mm, Weight 34 Kg
- A = 2300 mm, Pack size 2320 x 765 x 185 mm, Weight 40 Kg



INLET TABLE

- The top is manufactured from 0.9 mm 430 No 4 P.V.C coated stainless steel
- The top has a 40 mm boxed edge with a 75 mm turndown and a return of 10 mm
- 1.0 mm Mild steel undersheet - Epoxy coated
- Vermin proof bitumen sound deadening compound is applied between stainless steel and mild steel
- Angle iron frame work - Epoxy coated
- 42 x 2 mm Mild steel legs
- Corner gussets are fitted with 48mm tubing and M10 bolts to accommodate removable legs
- 1 x 30 mm Mild steel flat bar is welded to legs at 250 mm to accommodate shelf
- Inlet table shall have a 450 x 450 mm sink bowl
- Inlet table shall be fitted with a 450 mm high splash back
- A = 1100 mm, Pack size 1120 x 600 x 450 mm, Weight 26 Kg
- A = 1700 mm, Pack size 1720 x 660 x 295 mm, Weight 42 Kg
- A = 2300 mm, Pack size 2320 x 660 x 295 mm, Weight 48 Kg